
D250

SOFT SERVE MACHINE

The D250 is the smallest and lightest commercial soft serve machine in the world. With a simple, user friendly, and compact design, the D250 brings soft serve capability to any location. The D250 utilizes automatic consistency control for smooth and creamy product with every serving.

Features

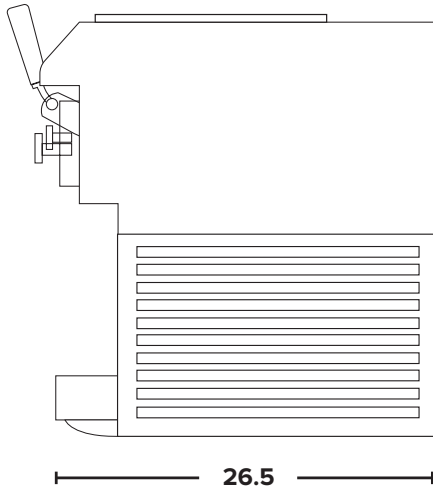
- Self-contained air cooled countertop model
- Serves frozen yogurt, sorbet, custard, soft serve ice cream, and gelato
- 14-18 minute typical freeze time to first dispense frozen product
- Automatic consistency control for easy operation
- Direct drive motor for reduced noise
- Dishwasher safe components for easy cleaning

*The D250 is manufactured for Donper USA by a third party.

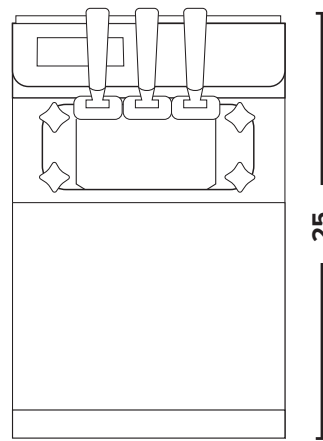


D250

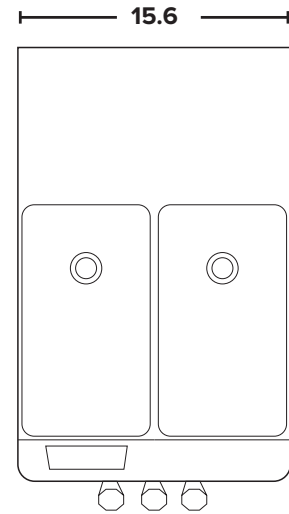
Side View



Front View



Top View



Measurements in inches.

Size and Capacity

Freezing Cylinder	1.7 Qt (1.6 L)
Hopper	5.8 Qt (5.5 L)
Appx. Hourly Production	21.2 Qt (20 L)
Height	25 in (635 mm)
Width	15.6 in (396 mm)
Depth	26.5 in (673mm)
Weight	177 lbs (80 kg)

Electrical and Refrigerant

Voltage	115 v
Phase	Single
Rated Input Power	1500 W
Refrigerant	R404a
Compressor	1/2 HP
Hertz	60 Hz
Plug Type	115 volt Standard Plug

Distributed By:

DONPER USA

Donper USA
24610 Kingsland Blvd
Katy, TX 77494

1-844-366-7371
sales@donperusa.com
www.donperusa.com