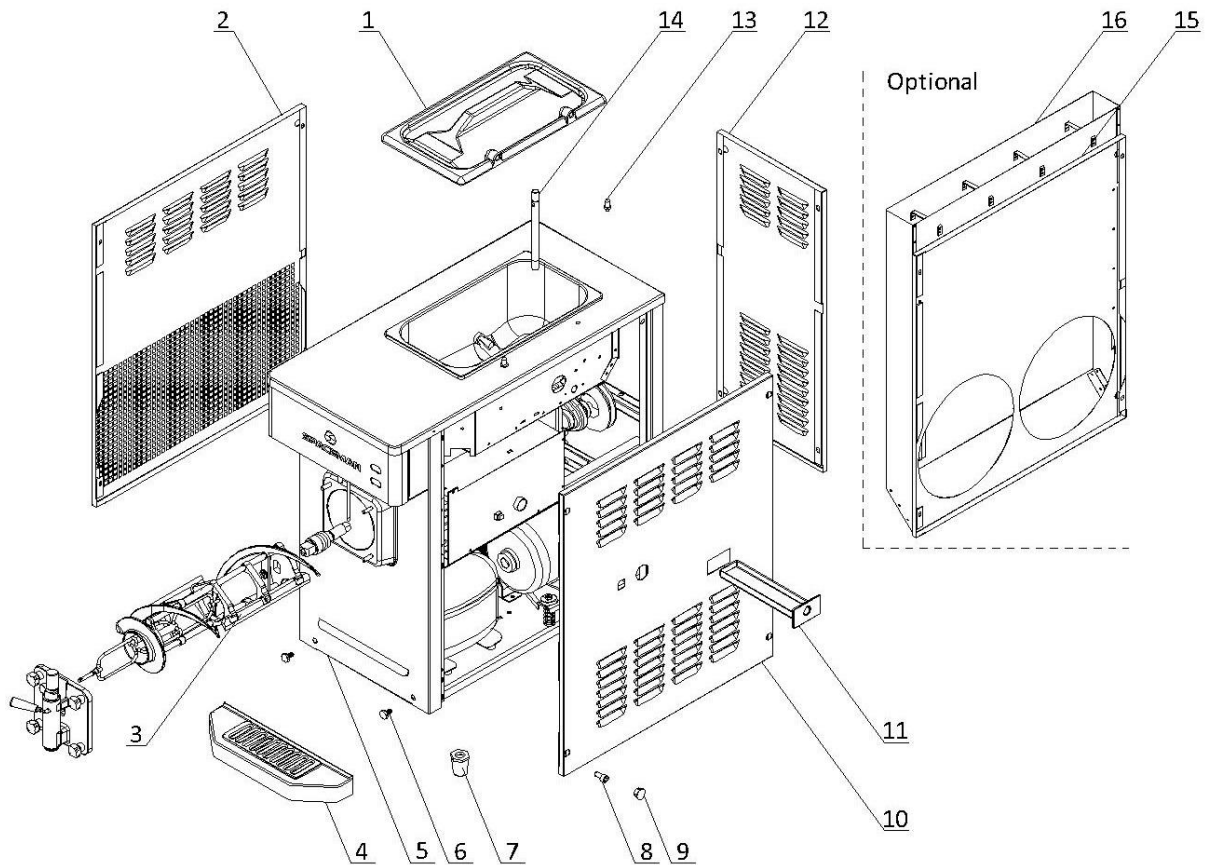


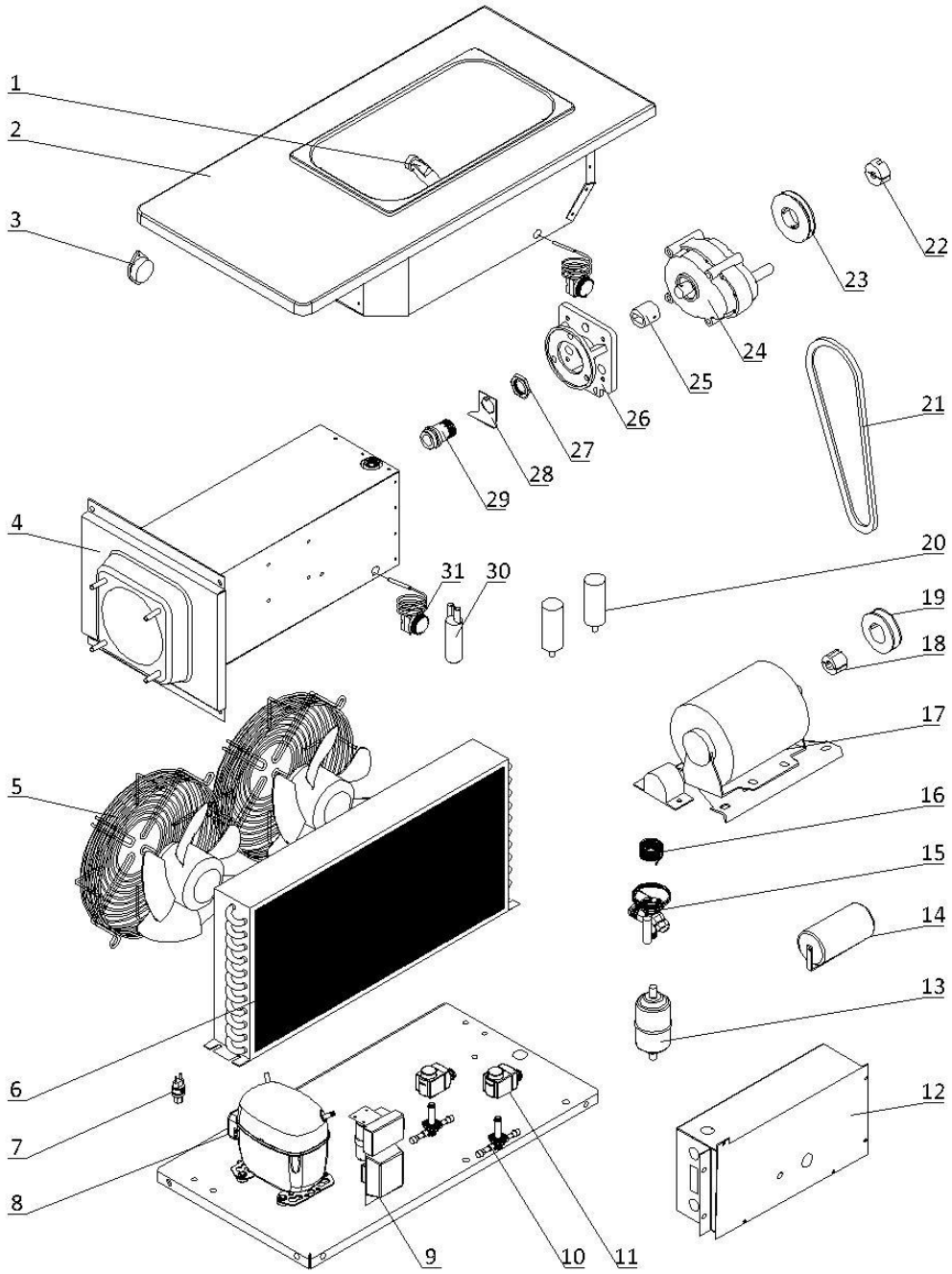
1. External Parts



1. External Parts

Item	Part Number	Description	Qty.
1	3.4.03.01.004	Hopper Lid - 12-15L	1
2	2.3.4.28.031	Panel - Left - 6650-C	1
3	Page 5	Dispensing Door and Beater	1
4	3.4.04.01.002	Front Drip Tray - 37.2mm	1
5	2.3.4.26.042	Panel - Lower Front - 6650-C	1
6	3.6.39.004	Drip Tray Mounting Bolt	2
7	3.3.05.03.001	Leg - 45mm	4
8	3.6.11.041	Screw - M8x16	12
9	3.4.07.01.001	Bolt Hole Cover	12
10	2.3.4.30.029	Panel - Right - 6650-C	1
11	3.4.04.02.004	Internal Drip Tray - 24mm	1
12	2.3.4.23.026	Panel - Rear - 6650	1
13	3.6.39.011	Hopper Lid Holder	2
14	2.1.3.39.0006	Air Tube - FB	1
15	2.3.4.28.032	Panel - Left - Air Chute - 6650-C (Optional)	1
16	2.3.4.34.014	Air Chute - 6650 (Optional)	1

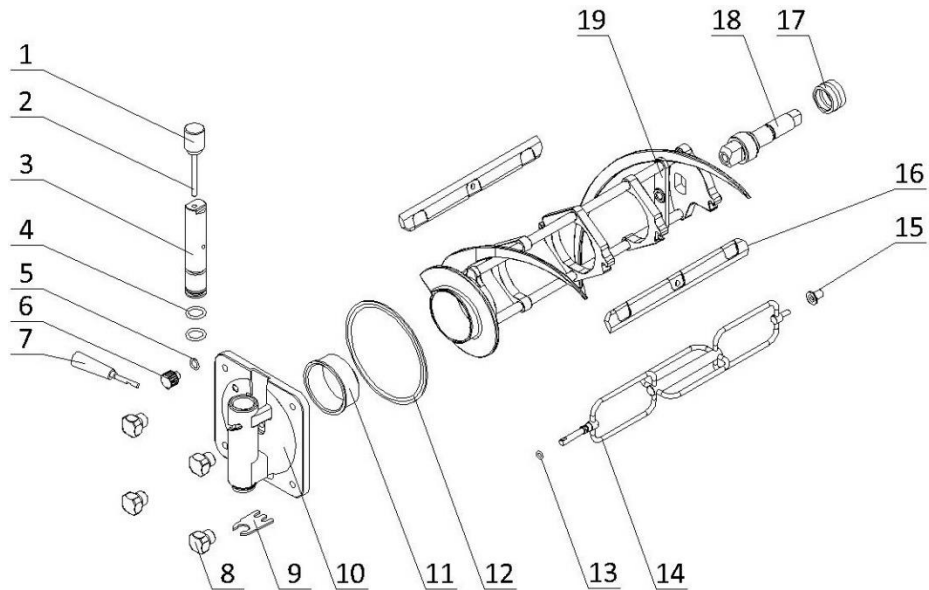
2. Internal Parts



2. Internal Parts

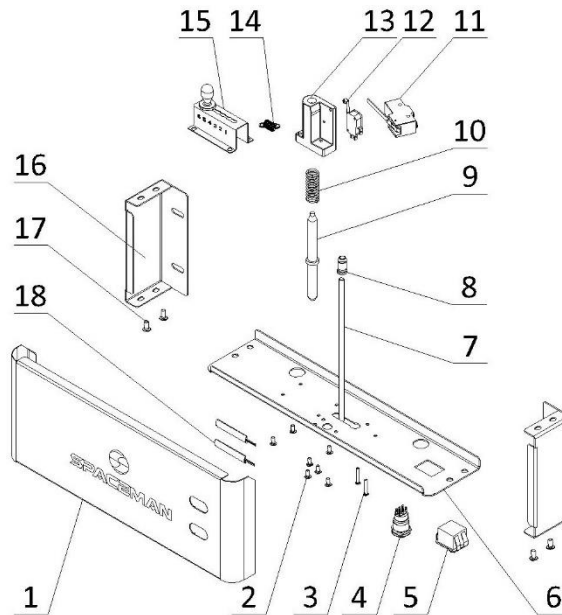
Item	Part Number	Description	Qty.
1	920.1.04.0002	Mix Low Sensor Assembly	1
2	2.1.1.02.0023	Hopper Assembly - 6650-C	1
3	3.1.02.15.003	Alarm - Low Mix - DC3-24V	1
4	2.1.1.06.0039	Cylinder Assembly - 6650	1
5	3.2.03.04.004	Fan Motor - 110/60/1 - YWF4E-250S	2
6	3.2.02.01.015	Main Condenser - Single - 6m ²	1
7	3.2.04.06.004	High Pressure Switch - 350~500psi	1
8	3.2.01.02.028.A	Primary Compressor - SC18CLX.2	1
9	3.2.01.04.014	Start Component - Compressor - SC18CLX.2	1
10	3.2.04.04.001	Solenoid Valve Body - EVR6 - 10W	2
11	3.2.04.04.016	Solenoid Coil - AC110V	2
12	Page 7	Electrical Box	1
13	3.2.04.05.002	Filter Drier - Cylinder - DML083S	1
14	3.1.02.22.008	Capacitor - Start/Running - 250V - 100-120μF	1
15	3.2.04.01.011	Thermal Expansion Valve - TUB2131	1
16	3.2.05.01.008	Capillary Tube - 2.07×1.07	1
17	3.3.01.07.008	Motor - 110/60/1 - 1/4HP	1
18	3.3.04.01.002	Bushing - 1008-14	1
19	3.3.04.02.012	Pulley - Beater Motor - SPA63-1-1008	1
20	3.2.03.04.004-2	Capacitor - Fan Motor - 450V - 8μF - MKPR	2
21	3.3.03.03.001	Belt - Motor - Beater - V-A787	1
22	3.3.04.01.008	Bushing - 1610-16	1
23	3.3.04.02.006	Pulley - Gear Box - SPA112-1-1610	1
24	3.3.02.01.024	Gear Box - FB - 45*20 Shaft - 79mm	1
25	3.3.02.04.009	Coupling Drive - 3.4qt-4.0qt-7.3qt - 20mm - V2	1
26	2.1.3.15.0003	Bracket - Gear Box - 3.4-7.3qt - 79mm	1
27	3.3.02.02.010	Nut - Rear Shell Bearing	1
28	2.3.6.04.004	Lock Plate - Rear Shell Bearing - 42mm	1
29	3.3.02.02.002	Rear Shell Bearing - SS (3.4qt) + FB	1
30	3.2.04.07.002	Suction Accumulator - 30×155×10	1
31	3.1.01.07.003	Thermostat - 0-40°C	2

3. Dispensing Door and Beater



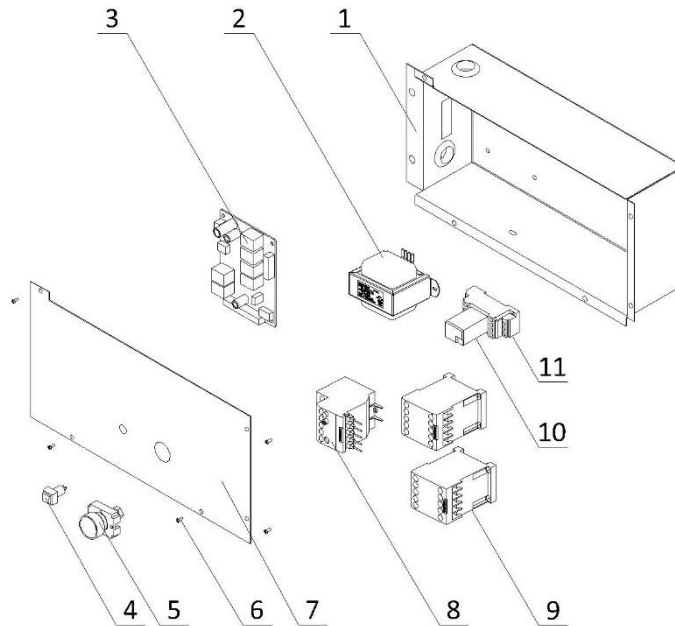
Item	Part Number	Description	Qty.
1	2.1.3.36.0004	Weight - Draw Valve - FB	1
2	2.1.3.36.0003	Pin - Draw Valve - FB	1
3	2.1.3.01.0006	Draw Valve - FB	1
4	3.4.08.01.036	O-Ring - 19x3.55	2
5	3.4.08.01.008	O-Ring - 11.5x2.5	2
6	3.4.07.08.001	Prime Plug - FB	1
7	3.4.05.01.002	Handle - Dispensing - FB	1
8	2.1.3.32.0004	Hand Screw - Dispensing - FB	4
9	2.1.4.04.014	Ice Buster - Dispensing - FB	1
10	2.1.3.14.0006	Dispensing Door - FB	1
11	3.4.01.03.003	Beater Guide - FB	1
12	3.4.08.02.005	Door Gasket - FB	1
13	3.4.08.01.017	O-Ring - 11x2.4	1
14	2.1.1.31.0003	Torque Rotor - 7.3qt - V2	1
15	3.4.01.03.012	Torque Guide - V2	1
16	3.4.02.01.006	Scraper Blade - FB - V2	2
17	3.4.07.05.002	Gasket - Drive Shaft	1
18	2.1.3.25.0003	Drive Shaft - FB	1
19	2.1.1.10.0020	Beater - FB - Standard - V2	1

4. Draw Switch and Front Control Panel



Item	Part Number	Description	Qty.
1	2.3.4.36.031	Panel - Overhead Front - 6650-C	1
2	3.6.22.028	Screw - M4×12	7
3	3.6.22.027	Screw - M4×30	2
4	3.1.03.04.035	Switch - FT19QB-H22Z/S-K13P0	1
5	3.1.03.03.009	Power Switch - RK1-01 2X3	1
6	2.3.4.39.063	Panel - Overhead Bottom - 6650-C	1
7	2.1.4.04.025	Torque Arm - 185mm	1
8	2.1.4.04.024	Bracket - Spring - 6690-C	1
9	2.1.3.50.0088	Shaft - Draw Switch - FB - 120.3mm	1
10	3.6.03.012	Spring - Shaft - Draw Switch	1
11	3.1.03.02.002	Micro Switch - Torque Lever	1
12	3.1.03.01.002	Micro Switch - KW-7-2	1
13	3.4.07.06.008	Bracket - Micro Switch & Shaft & Spring	1
14	3.6.02.005	Spring - Viscosity 0.7mm	1
15	920.1.03.0004	Control Levers - Viscosity Adjustment - V2	1
16	2.3.4.37.045	Panel - Overhead Side - FB	1
17	3.6.22.010	Screw - M5x10	4
18	3.1.02.14.005	LED Light - XGJ	2

5. Electrical Box



Item	Part Number	Description	Qty.
1	2.2.4.17.0037	Electrical Box - 6650	1
2	3.1.01.04.007	Transformer - 50W - 50313MW-32	1
3	2.1.1.30.0012	Control Board - FB	1
4	3.1.03.04.003	Switch - FB - Low Mix Alarm - Green Square	1
5	3.1.03.04.002	Reset Button - Thermal Overload	1
6	3.6.19.001	Screw - M4×8	4
7	2.2.4.20.0037	Cover - Electrical Box - 6650	1
8	3.1.01.02.012	Thermal Overload Relay - 3RU6116-1HB0	1
9	3.1.01.01.011	Contactor - 3RT6017-1AF01	2
10	3.1.01.03.032	Intermediate Relay - AC110V - HH54P-L	1
11	3.1.01.03.031	Base - Relay - TP514X1-E	1